



# DIGITAL ANTENNA COAX ENTERTAINMENT SYSTEM

STANDARD PACKAGES

# VINGTOR STENTOFON

by ZENITEL GROUP

Vingtor-Stentofon products are developed by the Zenitel Group and includes a range of high quality communications equipment and systems. Being in business since 1901, Zenitel's products are recognized globally for offering high quality communications for both offshore and onshore installations. Primary system offering within the Vingtor-Stentofon portfolio are Public Address and Intercom. Zenitel and the company's global partner network, also integrate these systems with other security devices; including Radio, CCTV, Access Control and Alarm for a comprehensive security solution.

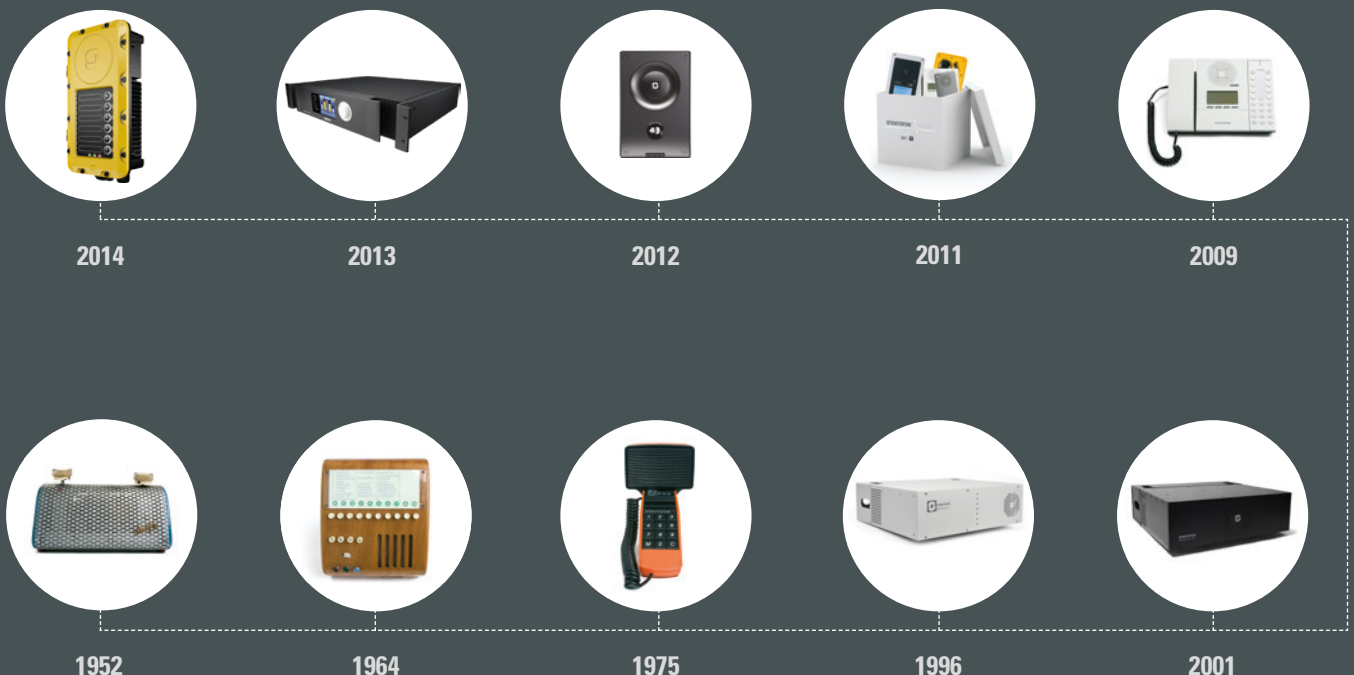
Vingtor-Stentofon is world-renowned for its extensive knowledge in the design, construction, installation and maintenance of integrated marine communication systems. Leveraging our long-term experience serving the maritime industry, we offer an impressive portfolio and provide cutting edge solutions to vessels worldwide under the brand name of Vingtor-Stentofon. The Vingtor-Stentofon brand underpins our reputation as a supplier of the most flexible, reliable and advanced communication systems available today.

## MEETING YOUR REGULATORY REQUIREMENTS

All Vingtor-Stentofon products that form a part of critical communication have been tested according to IEC 60945, IEC 60533 standards, and comply with SOLAS regulations and codes relevant to on-board communication systems. Our systems are delivered in accordance with the rules of all major classification societies.

## FOR ALL YOUR SALES & AFTER SERVICE REQUIREMENTS

Vingtor-Stentofon is a specialist provider of spare parts, repairs, maintenance contracts and refit solutions. Responsibility and availability are our guidelines and customer support and service a first priority.



# DIGITAL ANTENNA COAX ENTERTAINMENT SYSTEM

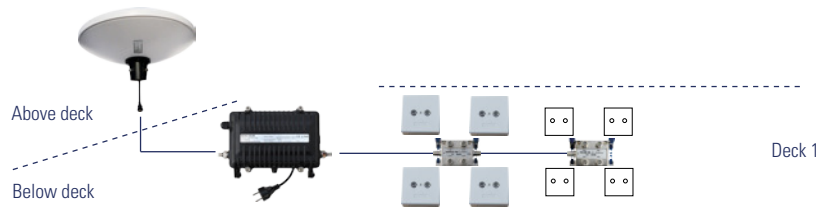
- AM & FM Antenna for receiving digital / analog terrestrial TV/Radio signals
- System size available from a few TV/ Radio outlets to several hundred outlets. Standard package of:
  - 8 outlets
  - 16 outlets
  - 24 outlets
  - 32 outlets
  - 40 outlets
  - 48 outlets
  - 64 outlets
- Package from 16 outlets can distribute signal from entertainment sources
- Can be combined with satellite TV
- 117 - 230VAC



2320000601

## DACS-08 COMPLETE ENTERTAINMENT SYSTEM WITH 8 OUTLETS

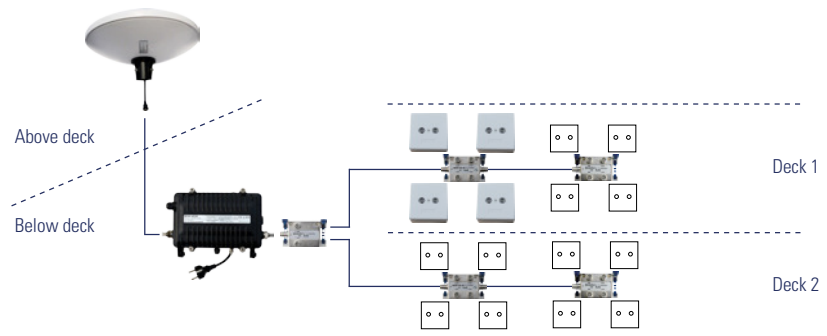
- 1 x SEAS 6000 Antenna (TV/AM/FM)
- 1 x SEAS 4020 Line Amplifier Line amplifier, 16 outlets (+20dB)
- 1 x SEAS T4-12 Tap-Off, 4 way (+12dB) (TV, R) with
- 1 x SEAS S4 Splitter, 4 way (TV, R) with F-conn.
- 8 x SEAS O-TV/R-IEC TV/Radio outlet (incl. cover) (std.) for IEC-conn.



2320000602

## DACS-16 COMPLETE ENTERTAINMENT SYSTEM WITH 16 OUTLETS

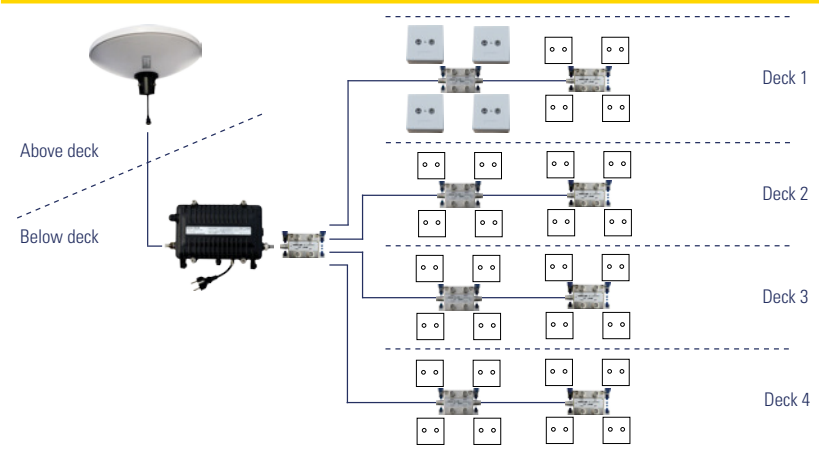
- 1 x SEAS 6000 Antenna (TV/AM/FM)
- 1 x SEAS 4030 Line Amplifier Line amplifier, up to 32 outlets (+34dB)
- 1 x SEAS S2 Splitter, 2 way (TV, R) with F-conn.
- 2 x SEAS T4-12 Tap-Off, 4 way (+12dB) (TV, R) with
- 2 x SEAS S4 Splitter, 4 way (TV, R) with F-conn.
- 16 x SEAS O-TV/R-IEC TV/Radio outlet (incl. cover) (std.) for IEC-conn.



2320000603

## DACS-32 COMPLETE ENTERTAINMENT SYSTEM WITH 32 OUTLETS

- 1 x SEAS 6000 Antenna (TV/AM/FM)
- 1 x SEAS 4030 Line Amplifier Line amplifier, up to 32 outlets (+34dB)
- 4 x SEAS T4-12 Tap-Off, 4 way (+12dB) (TV, R) with
- 5 x SEAS S4 Splitter, 4 way (TV, R) with F-conn.
- 32 x SEAS O-TV/R-IEC TV/Radio outlet (incl. cover) (std.) for IEC-conn.



232000604

## DACS-40 COMPLETE ENTERTAINMENT SYSTEM WITH 40 OUTLETS FOR

- 1 x SEAS 6000 Antenna (TV/AM/FM)
- 1 x SEAS 4040 Line Amplifier Line amplifier, up to 56/64 outlets (+44dB)
- 4 x SEAS T4-12 Tap-Off, 4 way (+12dB) (TV, R) with
- 4 x SEAS S4 Splitter, 4 way (TV, R) with F-conn.
- 4 x SEAS S2 Splitter, 2 way (TV, R) with F-conn.
- 40 x SEAS O-TV/R-IEC TV/Radio outlet (incl. cover) (std.) for IEC-conn.

Additional information: Option for rack mount

232000628 SEAS Rack 19" Rack mount for DACS-XX

232000605

## DACS-48 COMPLETE ENTERTAINMENT SYSTEM WITH 48 OUTLETS FOR

- 1 x SEAS 6000 Antenna (TV/AM/FM)
- 1 x SEAS 4041 Line amplifier incl. multi standard modulator, up to 56/64 outlets (+44dB)
- 4 x SEAS T4-12 Tap-Off, 4 way (+12dB) (TV, R) with
- 4 x SEAS T4-16 Tap-Off, 4 way (+16dB) (TV, R) with F-conn.
- 4 x SEAS S4 Splitter, 4 way (TV, R) with F-conn.
- 48 x SEAS O-TV/R-IEC TV/Radio outlet (incl. cover) (std.) for IEC-conn.

Additional information: Option for rack mount

232000628 SEAS Rack 19" Rack mount for DACS-XX

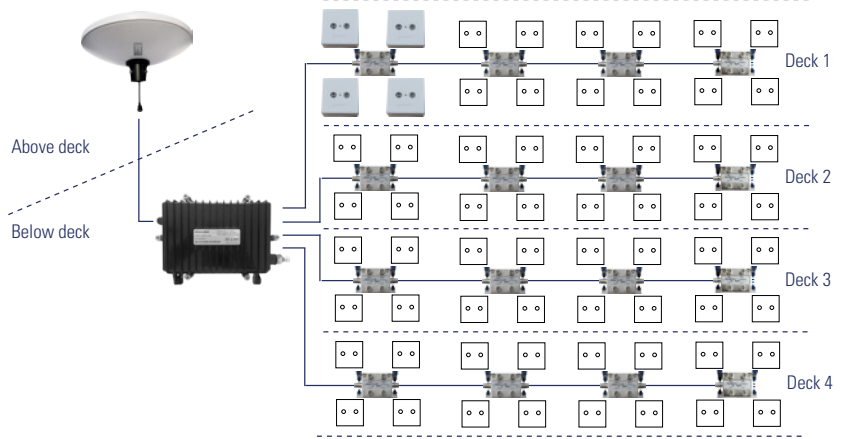
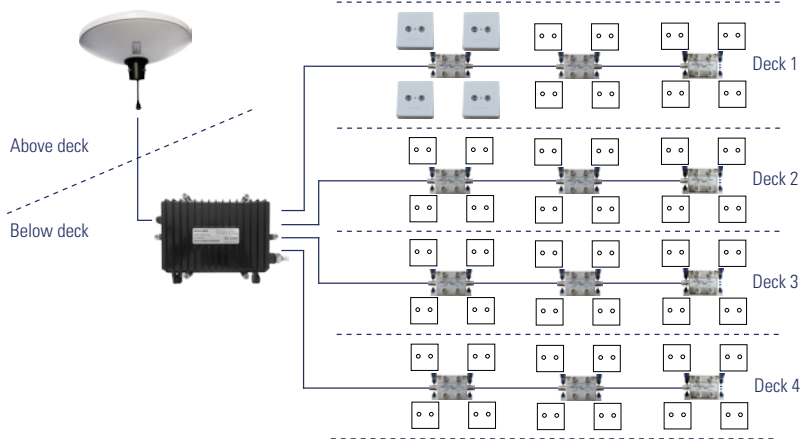
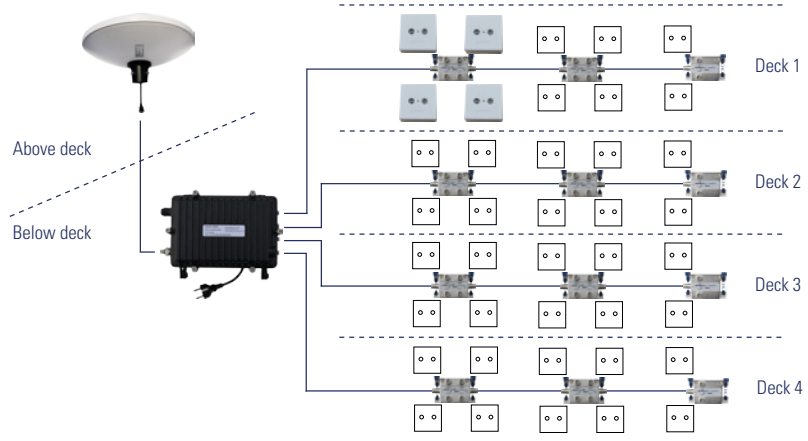
232000606

## DACS-64 COMPLETE ENT. SYSTEM WITH 64 OUTLETS FOR

- 1 x SEAS 6000 Antenna (TV/AM/FM)
- 1 x SEAS 4041 Line amplifier incl. multi standard modulator, up to 56/64 outlets (+44dB)
- 4 x SEAS T4-12 Tap-Off, 4 way (+12dB) (TV, R) with
- 4 x SEAS T4-16 Tap-Off, 4 way (+16dB) (TV, R) with F-conn.
- 4 x SEAS T4-20 Tap-Off, 4 way (+20dB) (TV, R) with F-conn.
- 4 x SEAS S4 Splitter, 4 way (TV, R) with F-conn.
- 64 x SEAS O-TV/R-IEC TV/Radio outlet (incl. cover) (std.) for IEC-conn.

Additional information: Option for rack mount

232000628 SEAS Rack 19" Rack mount for DACS-XX



## OPTIONAL SYSTEM UNITS

- Antenna
- Amplifiers
- Tap off and Outlets
- Cables

2320000607

### SEAS 6000 ANTENNA (TV-AM-FM)

- Include 25m cable and fixed plug
- Suitable for 50mm inner diameter mounting tube



Size (WxH): 450 x 260/180mm Weight: 3,4 kg

Additional Information:  
EMC: EN 61000-3-2/3-3, EN60945

2320000608

### SEAS 4020 LINE AMPLIFIER, UP TO 16 OUTLETS (+20DB)



Size (WxHxD): 230x165x82mm Weight: 2,5 kg

Additional Information:  
EMC: EN50083-2, EN61000-3-2/3-3  
Safety: EN60065, EN60728

2320000609

### SEAS 4030 LINE AMPLIFIER, UP TO 32 OUTLETS (+30DB)



Size (WxHxD): 230x165x82mm Weight: 2,32 kg

Additional Information:  
EMC: EN50083-2, EN61000-3-2/3-3  
Safety: EN60065, EN60728

2320000610

### SEAS 4040 LINE AMPLIFIER, UP TO 56/64 OUTLETS (+40DB)



Size (WxHxD): 265x190x110mm Weight: 3,5 kg

Additional Information:  
EMC: EN55027-2, EN61000-3-2/3-3/4-2-4-6  
Safety: EN60950, EN60601

2320000611

### SEAS 4041 LINE AMPLIFIER, UP TO 56/64 OUTLETS (+40DB) BUILT-IN MODULATOR



Size (WxHxD): 265x190x110mm Weight: 3,5 kg

Additional Information:  
EMC: EN60945:2002, EN55027-2, EN61000-3-2/3-3/4-2-4-6  
Safety: EN60950, EN60601

2320000612

### SEAS S2 SPLITTER, 2 WAY (TV, R) WITH F-CONN.



Size (WxHxD): 76x46x32mm Weight: 0,145 kg

Additional Information:  
Approvals: CE50083-2:2006 (Class A)

2320000613

### SEAS S4 SPLITTER, 4 WAY (TV, R) WITH F-CONN.



Size (WxHxD): 76x46x32mm Weight: 0,145 kg

Additional Information:  
Approvals: CE50083-2:2006 (Class A)

2320000614

### SEAS T2-12 TAP-OFF, 2 WAY (+12DB) (TV, R) WITH F-CONN.



Size (WxHxD): 76x46x32mm Weight: 0,160 kg

Additional Information:  
Approvals: CE50083-2:2006 (Class A)

2320000615

### SEAS T2-16 TAP-OFF, 2 WAY (+16DB) (TV, R) WITH F-CONN.



Size (WxHxD): 76x46x32mm Weight: 0,160 kg

Additional Information:  
Approvals: CE50083-2:2006 (Class A)

2320000616

### SEAS T4-12 TAP-OFF, 4 WAY (+12DB) (TV, R) WITH



Size (WxHxD): 76x46x32mm Weight: 0,160 kg

Additional Information:  
Approvals: CE50083-2:2006 (Class A)

2320000617

### SEAS T4-16 TAP-OFF, 4 WAY (+16DB) (TV, R) WITH F-CONN.



Size (WxHxD): 76x46x32mm Weight: 0,160 kg

Additional Information:  
Approvals: CE50083-2:2006 (Class A)

2320000618

**SEAS T4-20 TAP-OFF, 4 WAY (+20DB) (TV, R) WITH F-CONN.**



**Size (WxHxD):** 76x46x32mm **Weight:** 0,160 kg

Additional Information:  
Approvals: CE50083-2:2006 (Class A)

2320000619

**SEAS O-TV/R-IEC TV/RADIO OUTLET (INCL. COVER) (STD.) FOR IEC-CONN.**



**Size (WxHxD):** 86x86x32mm **Weight:** 0,110 kg

Additional Information:  
Approvals: CE50083-2:2006 (Class A)

2320000620

**SEAS O-TV/R-F TV/RADIO OUTLET (INCL. COVER) (STD.) FOR F-CONN.**



**Size (WxHxD):** 86x86x32mm **Weight:** 0,110 kg

Additional Information:  
Approvals: CE50083-2:2006

2320000621

**SEAS C-TV/R TV/RADIO COVER**

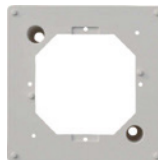


**Size (WxHxD):** mm **Weight:** kg

Additional Information:

2320000622

**SEAS FRAME FOR SURFACE MOUNTING OUTLETS (FITS ALL SEAS)**



**Size (WxHxD):** mm **Weight:** kg

Additional Information:

2320000623

**SEAS O-TV/R/S TV/RADIO/ SATELLITE OUTLET (INCL. COVER)**



**Size (WxHxD):** 86x86x32mm **Weight:** 0,140 kg

Additional Information:  
Approvals: CE50083-2:2006 (Class A)

2320000624

**SEAS C-TV/R/S TV/RADIO/ SATELLITE COVER**



**Size (WxHxD):** mm **Weight:** kg

Additional Information:

2320000628

**SEAS RACK 19" RACK MOUNT FOR DACS-XX**



**Size (WxH):** 19" 4HU

2320000625

**SEAS IEC/IEC-1,5 IEC/IEC OUTLET CORD WITH FERRITES**

2320000626

**SEAS IEC/F-1,5 IEC/F OUTLET CORD**

2320000627

**SEAS TR-750 F-MALE TERMINATING RESISTOR 75 OHM**

2320000629

**SEAS COAX-A COAXIAL CABLE TYPE A**

2320000630

**SEAS COAX-B COAXIAL CABLE TYPE B**

[www.zenitel.com](http://www.zenitel.com)



**Theunissen Technical Trading BV** | Rijkweg 191, 6581 EK Malden, Nederland  
T +31 (0)24 358 44 55 | [info@tttbv.com](mailto:info@tttbv.com) | [www.tttbv.com](http://www.tttbv.com)

Zenitel and its subsidiaries assume no responsibility for any errors that may appear in this publication, or for damages arising from the information therein. Vingtor-Stentofon products are developed and marketed by Zenitel. The company's Quality Assurance System is certified to meet the requirements in NS-EN ISO 9001. Zenitel reserves the right to modify designs and alter specifications without notice. ZENITEL PROPRIETARY. This document and its supplementing elements, contain Zenitel or third party information which is proprietary and confidential. Any disclosure, copying, distribution or use is prohibited, if not otherwise explicitly agreed in writing with Zenitel. Any authorized reproduction, in part or in whole, must include this legend. Zenitel – All rights reserved.